

HANDLE FITS A VARIETY OF COMMERCIAL DOOR
HANDLE "TEARDROP" CROSS SECTIONS FROM
VARIOUS MANUFACTURERS SUCH AS SCHLAGE,
CORBIN RUSSWIN, MASTERLOCK, YALE, SARGENT,
AND MORE.

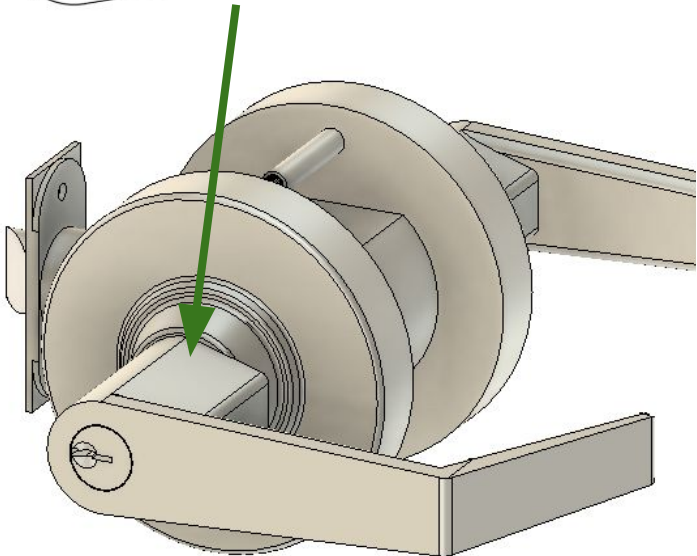
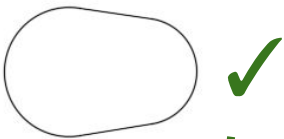
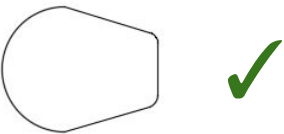
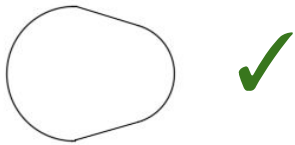
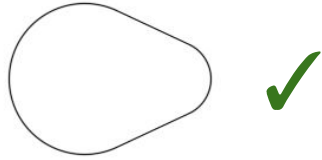
MAX HEIGHT: 35.9mm (1.41in)
MINIMUM WIDTH*: ~34.0mm (1.3in)
MAX WIDTH*: ~45mm (1.77in)

***WIDTH RANGE IS FOR REFERENCE ONLY.
ACTUAL WIDTH FITMENT DEPENDS ON CROSS
SECTION GEOMETRY.**

Fits ✓

Oblong Cross Sections:

Common on entry door levers and some passage door levers. Typical of levers where a keyed lock is located at the rotation axis of the lever.



Does not Fit ✗

Circular Cross Sections:

Common on passage door levers and entry door levers where the lock is not located at the rotational axis of the lever.

Please see our Type 2 and Type 3 Glove Only handles if you have a door lever with a circular cross section.

